

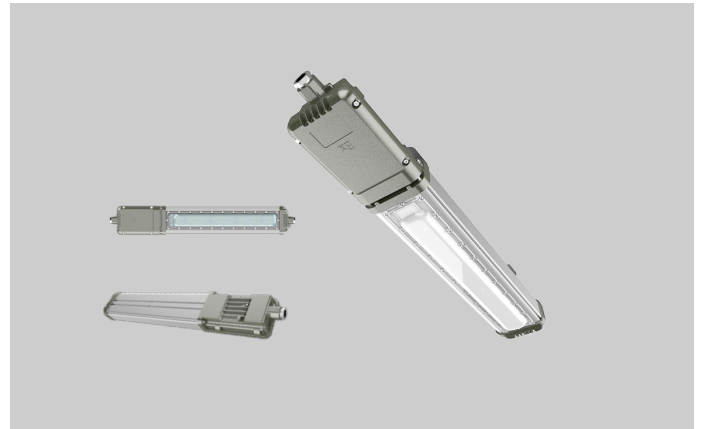


EXPLOSION PROOF

ZERON
NEW LIGHT NEW LIFE

Explosion Proof Zeron

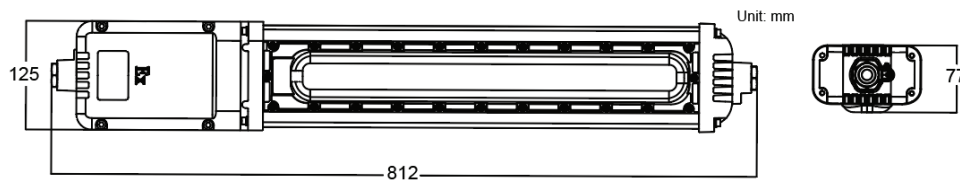
OHBF8192



■ Specification

Executive Standart	Rated Power	Rated Voltage	Weight	Size	Color Rendering	Power Factor	Beam Angle	Protection Level
GB3836.2 GB3836.9	20W 40W 60W	AC170-247V 50/60Hz	4.1kg	∅812X125X77MM	≥70Ra	>0.95	120°	IP66
Anticorrosion Grade		Light Effect		Total Lumen			Explosion Proof Mark	
WF2		120Lm/W		2.400Lm 4.800Lm 7.200Lm			Ex nR IIC T6 Gc/Ex tD A21 IP66 T80°C	

Dimension [mm]



Installation Mode

